

① SERVICE VALVE STOPFILL
ROTAREX S3733234 OPD

	NAME	DATE
DRAWN	ISOMETRIX	12-13-04
CHECKED	M. N.	12-13-04
ENG APPR.	B. S.	12-13-04
MFG APPR.		

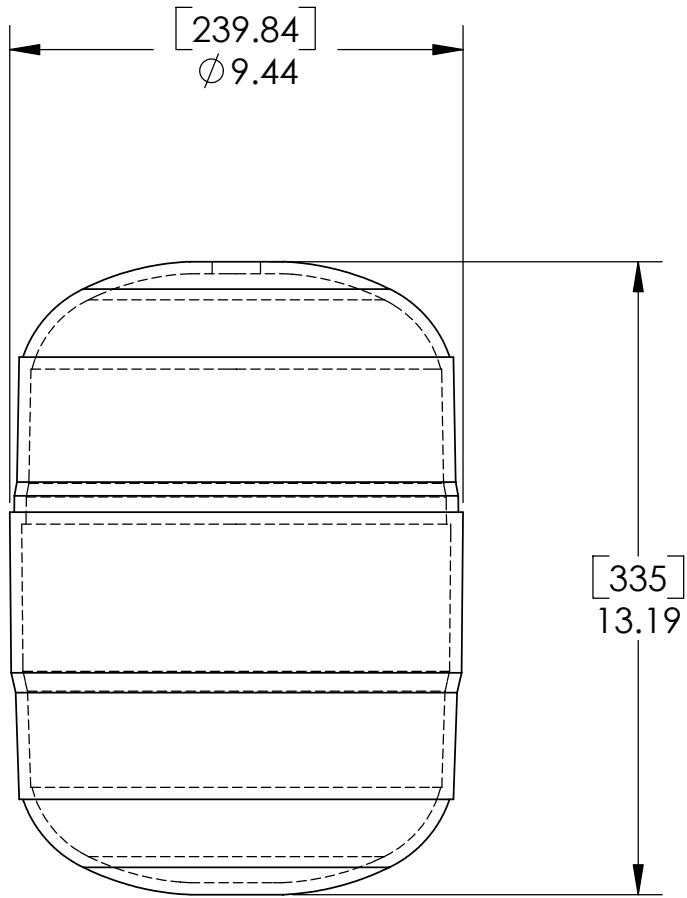
COMMENTS: DO NOT SCALE

T.L.C.C.I. Inc.
112 ALPHA DRIVE FRANKLIN, TN. 37064

10# CYLINDER

PROPRIETARY AND CONFIDENTIAL
THE INFORMATION CONTAINED IN THIS
DRAWING IS THE SOLE PROPERTY OF
T.L.C.C.I. INC. ANY REPRODUCTION
IN PART OR AS A WHOLE WITHOUT THE
WRITTEN PERMISSION OF T.L.C.C.I. INC.
IS PROHIBITED.

SIZE	DESCRIPTION	REV.
A	10# CYLINDER ASSEMBLY	1
DRAWING NAME: 10-01		SHEET 1 OF 2



CAPACITY: 2.932 GALLONS
11.102 LITERS

	NAME	DATE
DRAWN	ISOMETRIX	12-13-04
CHECKED	M. N.	12-13-04
ENG APPR.	B. S.	12-13-04
MFG APPR.		

T.L.C.C.I. Inc.
112 ALPHA DRIVE FRANKLIN, TN. 37064

10# CYLINDER

PROPRIETARY AND CONFIDENTIAL
THE INFORMATION CONTAINED IN THIS DRAWING IS THE SOLE PROPERTY OF T.L.C.C.I, INC. ANY REPRODUCTION IN PART OR AS A WHOLE WITHOUT THE WRITTEN PERMISSION OF T.L.C.C.I, INC. IS PROHIBITED.

COMMENTS: DO NOT SCALE

SIZE	DESCRIPTION	REV.
A	10# CYLINDER TANK	1
DRAWING NAME: 10-02		SHEET 2 OF 2